

Arc Fault Circuit Interrupters (AFCIs)



AFCI Breakers

Product Description

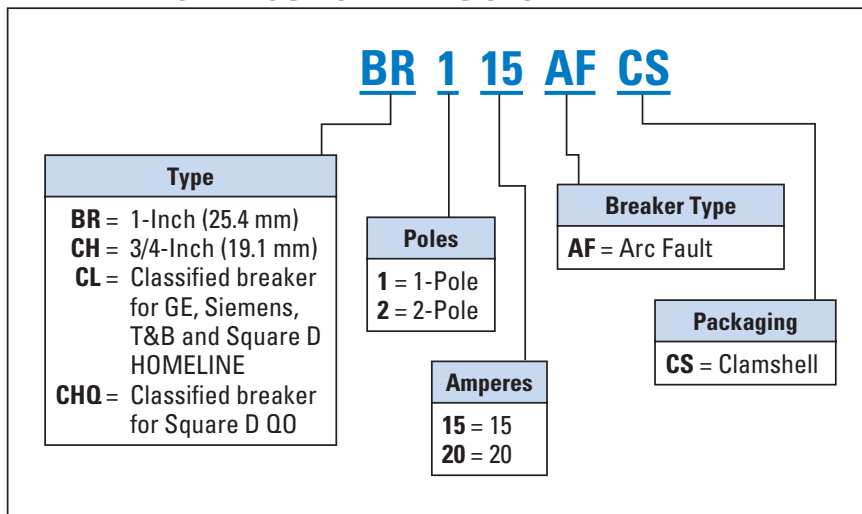
FIRE-GUARD™ Arc Fault Circuit Interrupter (AFCI) is a circuit breaker that provides protection from fires caused by arcing faults. Arcing faults can occur when insulation around cords, wires or cables is damaged or deteriorated. AFCIs are required in bedroom circuits for new construction per the 2005 National Electrical Code.

Features, Functions and Benefits

- ✓ Reduces the risk of electrical fires started by arcing faults.
- ✓ Meets UL 489 (standard for molded case circuit breakers), UL 1699 (standard for arc fault circuit interrupters) and either UL 1053 (standard for ground fault relaying and sensing at 30 mA) or UL 943 (ground fault circuit interrupters at 5 mA).
- ✓ Meets 1999, 2002 and 2005 National Electrical Code requirements for AFCIs.

Catalog Numbering System

TABLE 1-17. CATALOG NUMBERING SYSTEM



HAZARDOUS SITUATION
Arcing to ground can occur in a wall plug or switch that was not properly installed, or where connections become loose.

HAZARDOUS SITUATION
A nail from a picture hanger can break the insulation and cause arcing.

HAZARDOUS SITUATION
Cords that get caught in door jambs. The constant action of opening and closing can deteriorate the cable insulation, allowing arcing to occur.

HAZARDOUS SITUATION
Damaged, abused or worn extension cords can pose an arcing situation.

HAZARDOUS SITUATION
When furniture is pushed up against or rests on a cord - the deterioration of the insulation may be greatly increased. These damaged cords then become a potential condition for arcing.

FIGURE 1-2. APPLICATION DIAGRAM